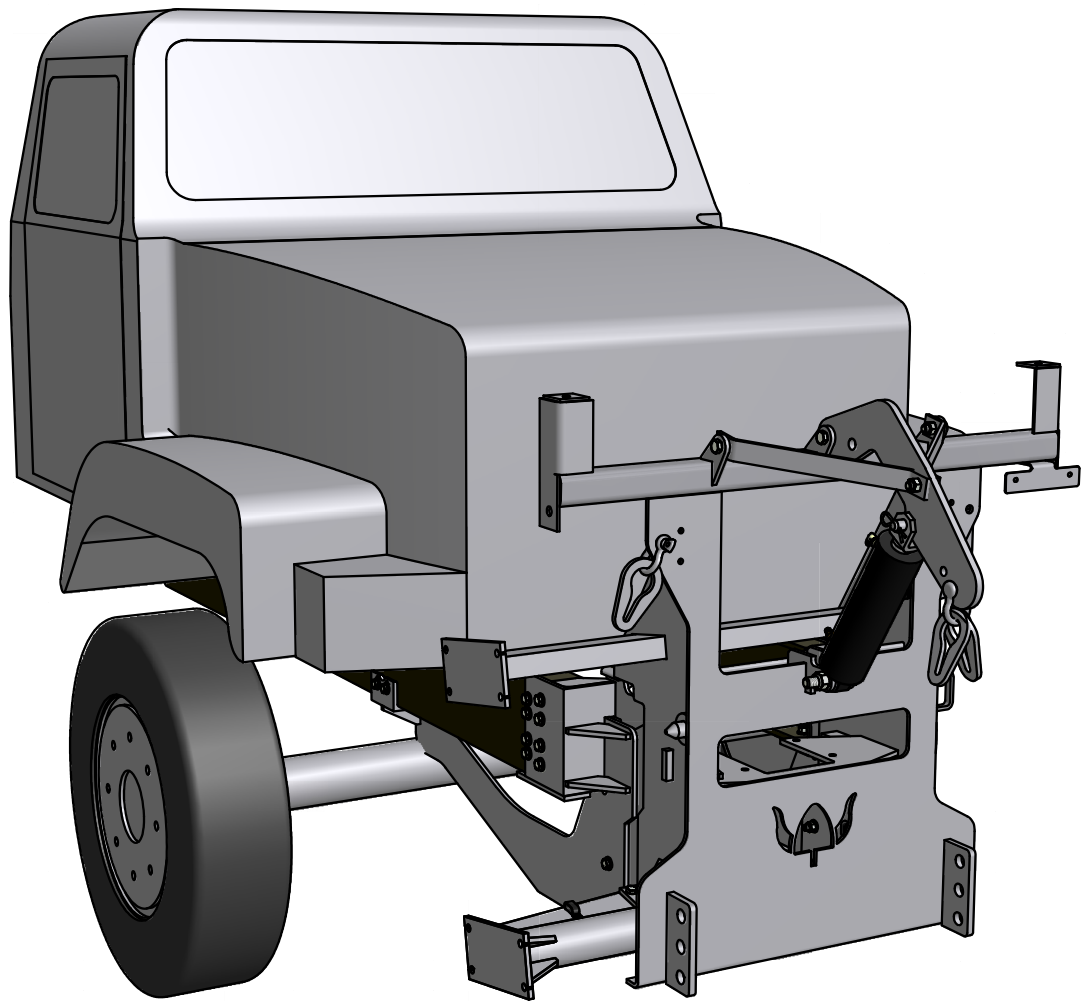


# 500T POWER TILT FRONT HITCH





BOX 1120, NORPARK DRIVE, MOUNT FOREST, ONT. N0G 2L0 (519) 323-4433 PH (519) 323-4608 FX

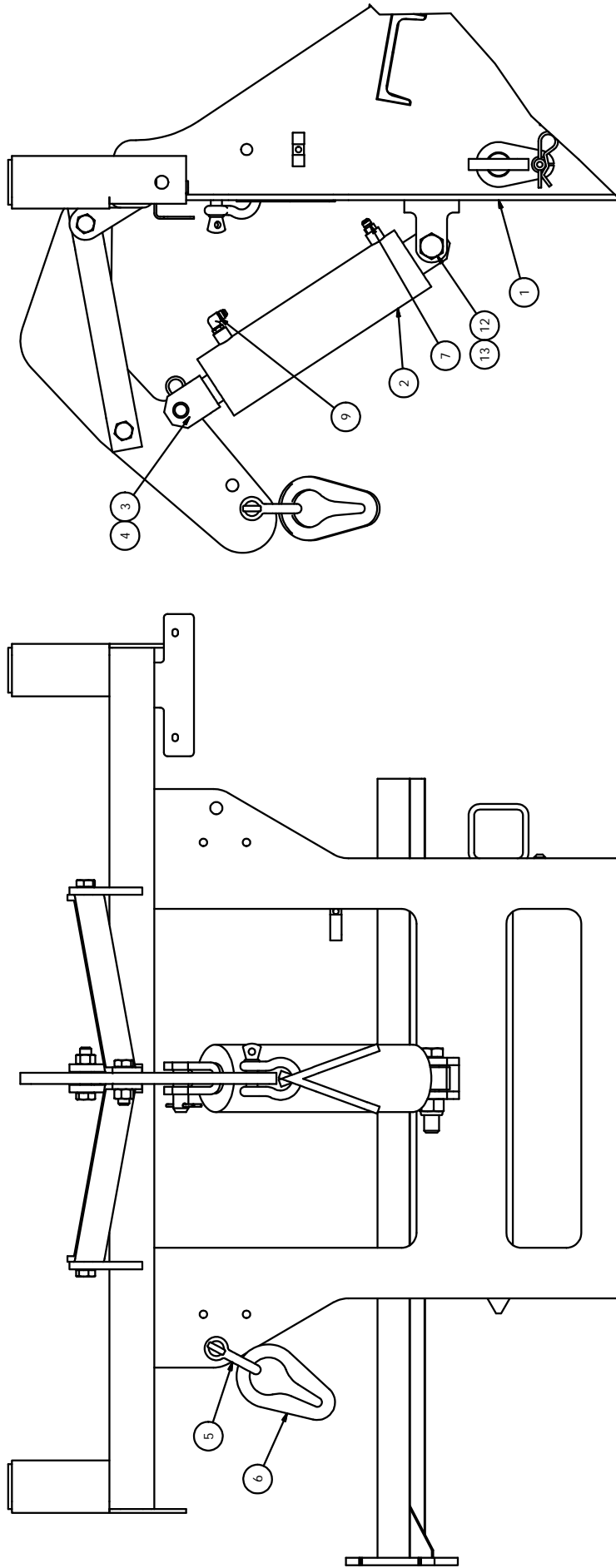
01900336

### 500T FRONT HITCH ASSEMBLY

ITEM ID	ITEM NO	DESCRIPTION	QTY REQ
1	00101426	FRT HARNESS ASS'Y PWRTILT (AIR FLOW)	1
2	0540040	CYLINDER HYD DA 4 X 10 FRONT LIFT	1
3	00900003	PIN 1.000 DIA X 2.563 WELD'T	1
4	HW13L-0360	COTTER HAIRPIN 3/16 X 3 3/4 ZINC	1
5	0590028	ANCHOR SCREW PIN SHACKLE 5/8"	2
6	00401321	GRAB LINK	3
7	0630028	HYD ADAPTER 3/8 JIC 3/8 OR STRAIGHT	1
9	0630016	HYD ADAPTER 3/8 SAE 90 3/8 JIC	3
10	0630019	HOSE CLAMP 3/8 SINGLE HOSE INSULATED	4
11	0630020	HOSE CLAMP 3/8 DOUBLE HOSE INSULATED	5
12	HW40A-1640	BOLT HEX 1 X 5 UNC ZINC	1
13	HW36D-16	NUT HEX ELASTIC 1 UNC ZINC	1



BOX 1120, NORPARK DRIVE, MOUNT FOREST, ONT. N0G 2L0 (519)323-4433 PH (519)323-4608 FX



EQUIPMENT MAY NOT BE EXACTLY AS SHOWN. SOME COMPONENTS MAY BE OPTIONAL.  
TO MAINTAIN OUR ON-GOING PRODUCT AND DEVELOPMENT IMPROVEMENT PROGRAM, VIKING-GIVES LTD. RESERVES THE RIGHT TO CHANGE EQUIPMENT & SPECIFICATION WITHOUT NOTICE.



BOX 1120, NORPARK DRIVE, MOUNT FOREST, ONT. N0G 2L0 (519) 323-4433 PH (519) 323-4608 FX

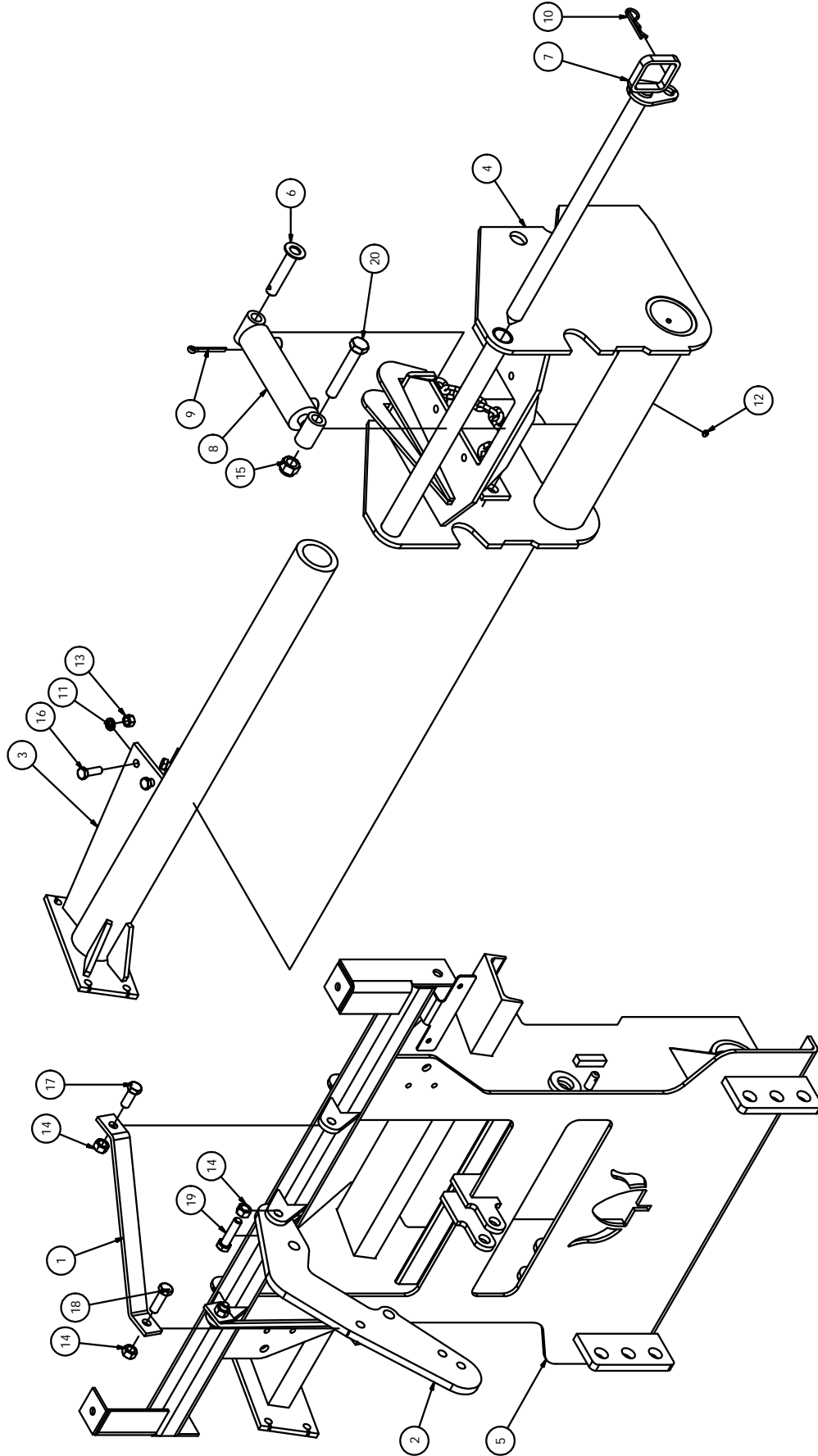
00101426

500T FRONT HARNESS ASSEMBLY

ITEM ID	ITEM NO	DESCRIPTION	QTY REQ
1	00101005	YOKE DIAGONAL BRACE BAR	2
2	00101101	LIFT YOKE STANDARD	1
3	00101148	PIVOT TUBE WELD'T PWR TILT HARNESS	1
4	00101366	PIVOT FRAME & PUMP MOUNT WELD'T	1
5	00101425	PUSH PLT WELD'T HARNESS PWR TILT TUBE TOP	1
6	00900113	PIN 1.000 DIA X 4.625 WELD'T	1
7	00900118	PIN 1.500 DIA X 29.375 WELD'T	1
8	0540006	CYLINDER HYD DA 2 1/2 X 6 FRONT LIFT	1
9	HW13A-1248	COTTER PIN 3/8 X 3 ZINC	1
10	HW13L-0360	COTTER HAIRPIN 3/16 X 3 3/4 ZINC	1
11	HW14C-10	LOCKWASHER SPLIT 5/8 ZINC	4
12	HW29A-02	GREASE FITTING 1/8 NPT STR	3
13	HW30A-10	NUT HEX 5/8 UNC ZINC	4
14	HW30A-12	NUT HEX 3/4 UNC ZINC	4
15	HW36D-16	NUT HEX ELASTIC 1 UNC ZINC	1
16	HW40A-1016	BOLT HEX 5/8 X 2 UNC ZINC	4
17	HW40A-1216	BOLT HEX 3/4 X 2 UNC ZINC	2
18	HW40A-1220	BOLT HEX 3/4 X 2 1/2 UNC ZINC	1
19	HW40A-1224	BOLT HEX 3/4 X 3 UNC ZINC	1
20	HW40A-1648	BOLT HEX 1 X 6 UNC ZINC	1



BOX 1120, NORPARK DRIVE, MOUNT FOREST, ONT. N0G 2L0 (519)323-4433 PH (519)323-4608 FX



EQUIPMENT MAY NOT BE EXACTLY AS SHOWN. SOME COMPONENTS MAY BE OPTIONAL.  
TO MAINTAIN OUR ON-GOING PRODUCT AND DEVELOPMENT IMPROVEMENT PROGRAM, VIKING GIVES LTD. RESERVES THE RIGHT TO CHANGE EQUIPMENT & SPECIFICATION WITHOUT NOTICE.



01900075

PUSHLUG KIT QUICK TACK ASSEMBLY

ITEM ID	ITEM NO.	DESCRIPTION	QTY REQ
1	00401282	2 HOLE Q TACK PUSH LUG	2
2	02600109	QUICK HITCH WELDMENT	2
3	02600112	QUICK HITCH PIN	2
4	HW40A-2052	BOLT HEX 1 1/4 X 6 1/2 UNC ZINC	4
5	HW36D-20	NUT HEX ELASTIC 1 1/4 UNC ZINC	4
6	02600000	DRIVE SWIVEL WELD'T QUICK-TACK	REF

