



VCL FE Plow

The North American Leader in innovative snow & Ice control equipment.

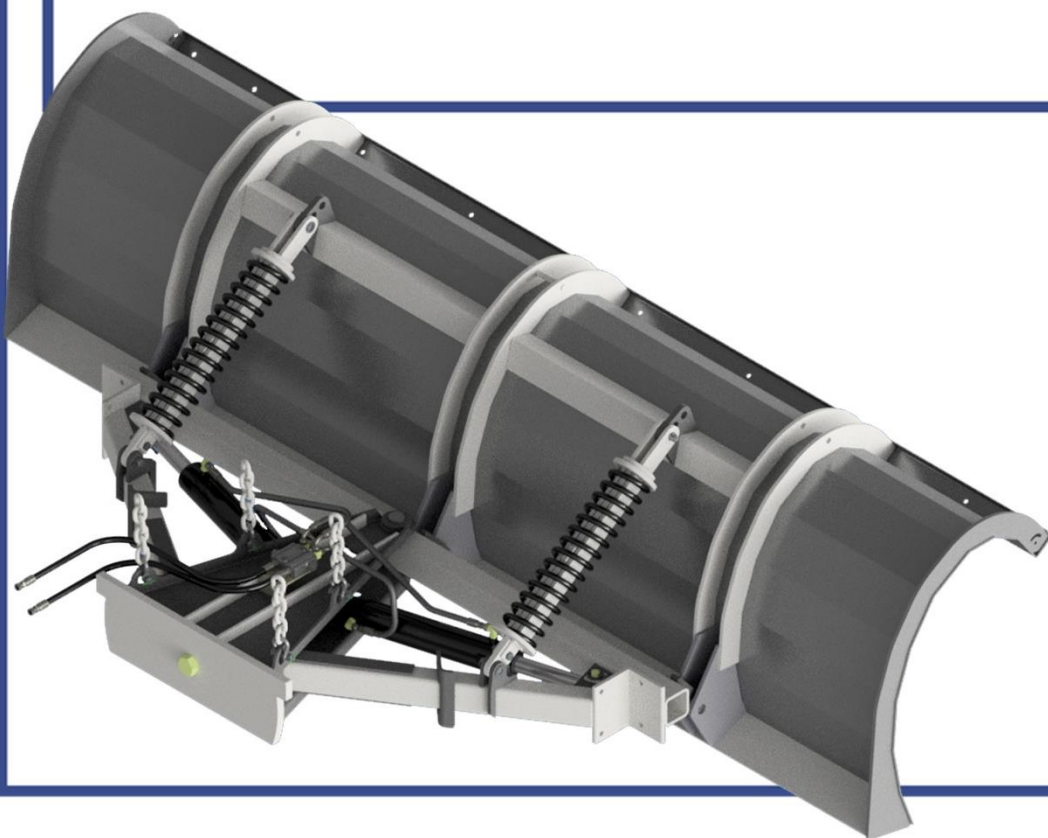


Standard Features

1. **Power Ram Reversing** moldboard can discharge snow left or right side.
2. **Dual Compression Arms** allow the entire moldboard to trip when hitting immovable objects, protecting the road and the plow.
3. **Fully welded 3/16" steel moldboard skin.**
4. **3 Plow Attack Angles** provide simple edge adjustment for optimal cutting edge configuration.

Options

- Blades
- Marker Whips
- Quick Tack Swivel
- Rubber Deflector
- 8 "or 12" punched blade mounting holes
- Safeway Quick Disconnects
- Dual trip spring kit



Plow Model	Width	Height	Moldboard Thickness	Approx. Weight
3812FE	12'	32"	3/16"	1850 lbs
4212FE	12'	42"	3/16"	1900 lbs

