



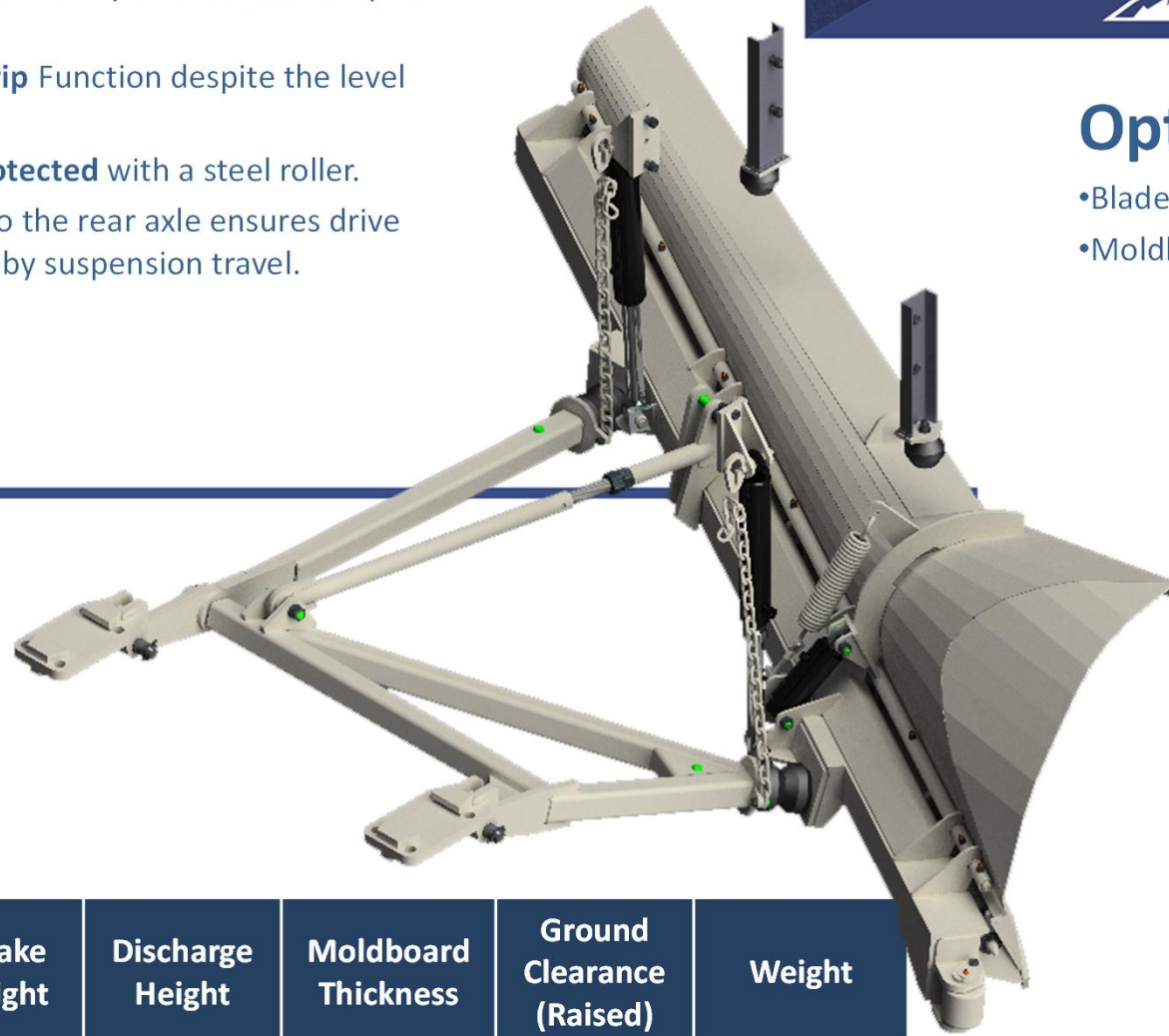
# Frink U-936 Underslung Plow

The North American Leader in innovative snow & Ice control equipment.



## Standard Features

1. **One Piece Trip Blade** will trip over obstacles up to 4" high.
2. **Design Maintains Trip** Function despite the level of blade wear.
3. **Discharge End is Protected** with a steel roller.
4. **Quick Attachment** to the rear axle ensures drive height is unaffected by suspension travel.



## Options

- Blade options
- Moldboard shoes

Model	Clearing Path	Intake Height	Discharge Height	Moldboard Thickness	Ground Clearance (Raised)	Weight
U-936	9'	12"	32"	3/16"	Approx. 8"	1100 lbs