



# VCL One Way Reversible Plow

The North American Leader in innovative snow & Ice control equipment.

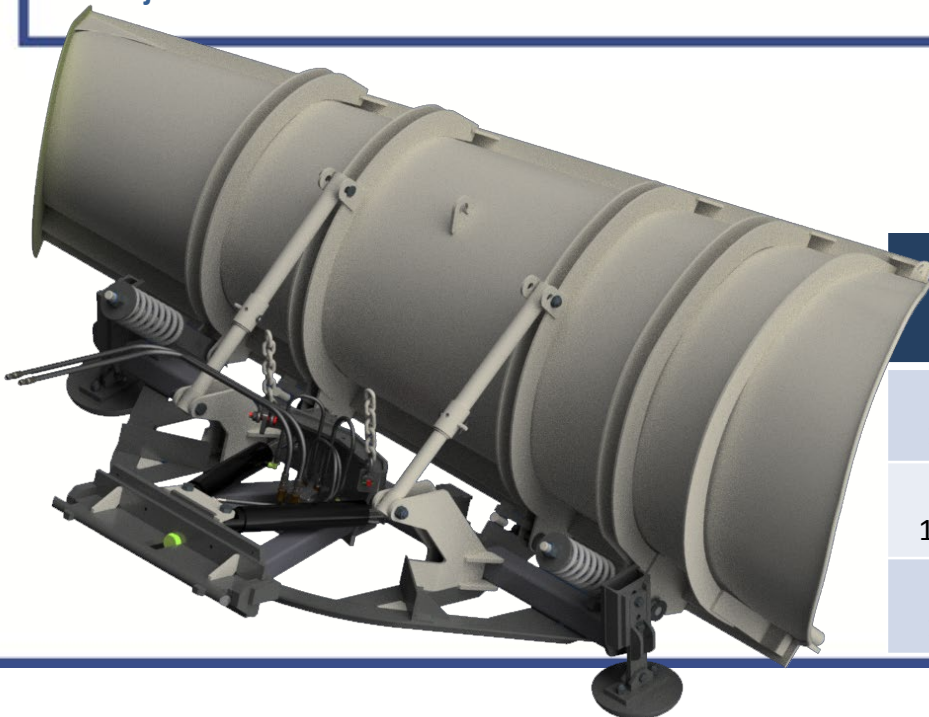


## Standard Features

1. **Heavy Duty Reversing Pushframe & 10 gauge Rolled Steel Construction:** perfect for high speed rural and interstate plowing.
2. **4 Slotted Trip Lugs** allow the plow to trip when encountering speed bumps and other obstacles.
3. **Adjustable Trip Spring Assembly** provides safe tripping action in a variety of conditions.
4. **Adjustable Moldboard Angle** for enhanced edge efficiency. Shear bolts on moldboard brace arms protect the plow components and truck.
5. **Adjustable Pushframe Shoes**

## Options

- Blades
- Marker Whips
- Quick Tack Swivel
- Rubber Deflector
- 8 "or 12" punched blade mounting holes
- Safeway Quick Disconnects
- Pushframe to moldboard safety cable
- Trip spring retainer kit



Model	Clearing Path	Height *Discharge *Intake	Length *Moldboard *Blade	Approx. Weight
OWREV 120HSE9	9'	54" 26"	13' 10" 11' 4"	2050 lbs
OWREV 120HSE10	10'	56" 26"	14' 9" 12' 4"	2140 lbs
OWREV 135HSE9	9'	64" 35"	14' 4" 11' 4"	2350 lbs