

# »» VCL LPM (Low Power Mount) Hitch

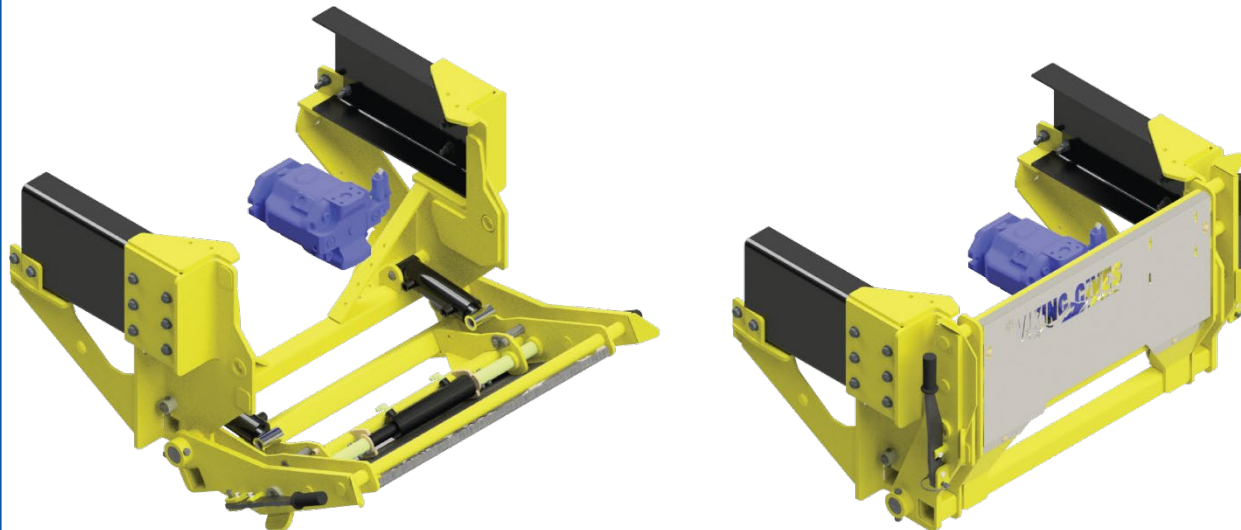
The North American Leader in innovative snow & Ice control equipment.

## Standard Features

1. **Robust & Durable Construction**
2. **Lighter Than our 500HD hitch.**
3. **Detaching Design** allows for easy mounting and un-mounting in minutes, without the use of tools.
4. **Simplified Hydraulic Design** for easier operation, and maintenance.
5. **Single Cylinder Lock Pin**
6. **Hydraulic Accumulator** maintains constant hydraulic pressure and dampens vibrations and shock while carrying the plow.
7. **Low Mount Design** leaves grill and engine bay unobstructed. Better cooling, and visibility.



*Hitch options available for front plow only or wing and plow.*



*Detail view of the LPM 500 hitch connecting to the hitch plate.*