

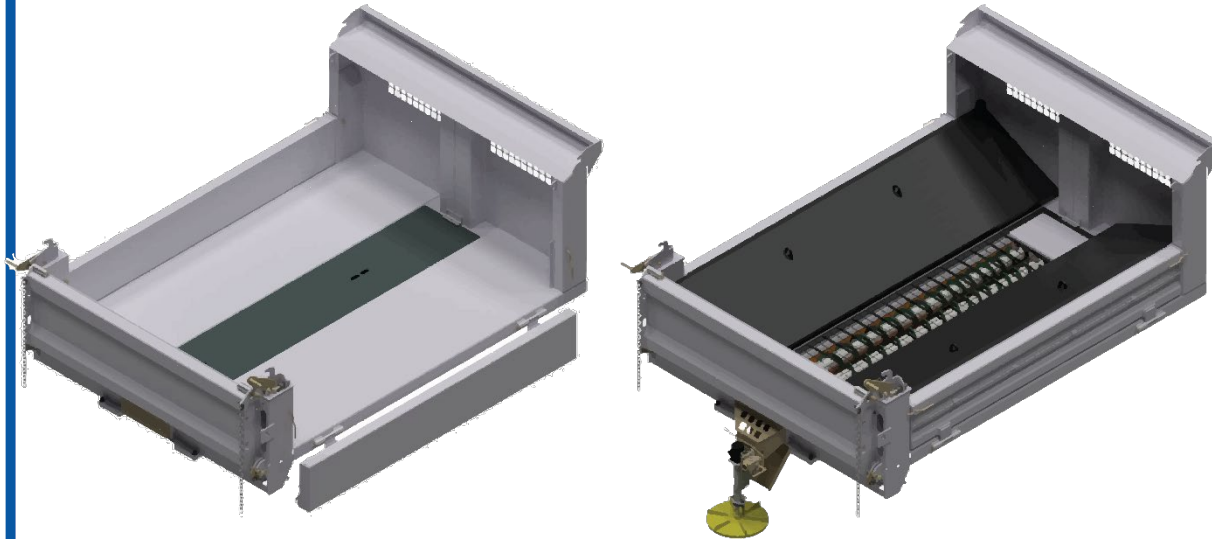


# Proline Journeyman (PLJM)

The North American Leader in innovative snow & Ice control equipment.

## Standard Features

1. **Aluminum Body** for maximum payload and ease of use.
2. **Center Rear Discharge**
3. **Fold Down Sides** For multiple unloading and carrying options.
4. **Double Acting Tailgate** for carrying large items.
5. **Integrated Body Prop** for safety checks.
6. **Remote Grease Lines** for hassle-free regular maintenance.
7. **AR450 Conveyor Cover** for summer use.
8. **Trunnion Mount Hoist Cylinder**
9. **Dual Auger Conveyor System** For efficient material spreading and durability.





The North American Leader in innovative snow & Ice control equipment.



## Options

- Corten or Stainless Steel construction
- Side tilt indicator
- Coal doors
- Asphalt apron
- Tarp
- Cab shield
- High Side Walls

Model	Inside Length	Outside Length	Side Height	Tailgate Height	Summer Capacity w/High Sides	Winter Capacity w/high sides	Approx . Weight	Hoist
PL0910JM	9'	10'	16"	24"	<b>3.2 yd3</b> *4.5 yd3	<b>1.8 yd3</b> 3.1 yd3	<b>2800 lbs</b> 1275 kg	20 ton
PL1011JM	10'	11'	16"	24"	<b>3.6 yd3</b> 5.0 yd3	<b>2.0 yd3</b> 3.4 yd3	<b>3000 lbs</b> 1365 kg	20 ton
PL1112JM	11'	12'	16"	24"	<b>4.0 yd3</b> 5.5 yd3	<b>2.2 yd3</b> 3.7 yd3	<b>3200 lbs</b> 1455 kg	20 ton