



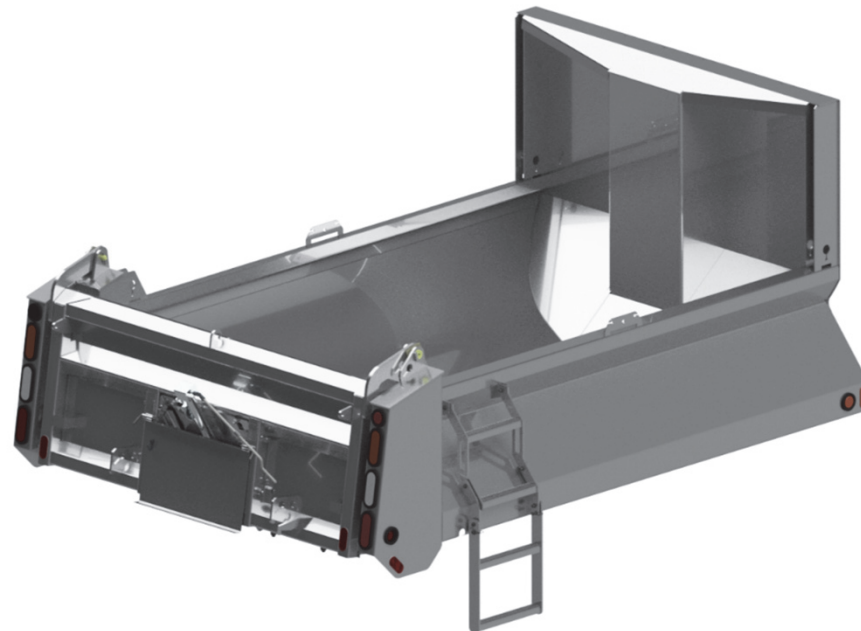
# Proline Mini Weight (PLMW)

The North American Leader in innovative snow & Ice control equipment.



## Standard Features

1. **U-Style Design** specifically designed for sand, salt and aggregate material spreading.
2. **Threaded Rod Chain Tensioner**
3. **Rear Discharge** main conveyor.
4. **Double Acting Tailgate** for carrying large items.
5. **Manual Tailgate Release** for material dumping.
6. **5083 Aluminum Construction** with 3/8" poly box liner.
7. **Right Rear Inspection Ladder**
8. **Trunnion Mount Hoist Cylinder**





# Proline Mini Weight (PLMW)

The North American Leader in innovative snow & Ice control equipment.



## Options

- Stainless Steel construction
- Material screens
- Air tailgate
- Sideboards

Model	Inside Length	Outside Length	Approx. Weight	Capacity w/sideboards	Front Panel Height	Side Height	Tailgate Height	Hoist
PL0809MW	8'	9'	1900 lbs	<b>2.9 yd3</b> 4.0 yd3	57"	25"	30"	20 ton
PL1011MW	10'	11'	2200 lbs	<b>3.6 yd3</b> 5.1 yd3	57"	25"	30"	20 ton
PL1112MW	11'	12'	2600 lbs	<b>4.3 yd3</b> 6.1 yd3	57"	25"	30"	20 ton